

HORTI ROBOTICS

WHERE INNOVATION
TAKES ROOT

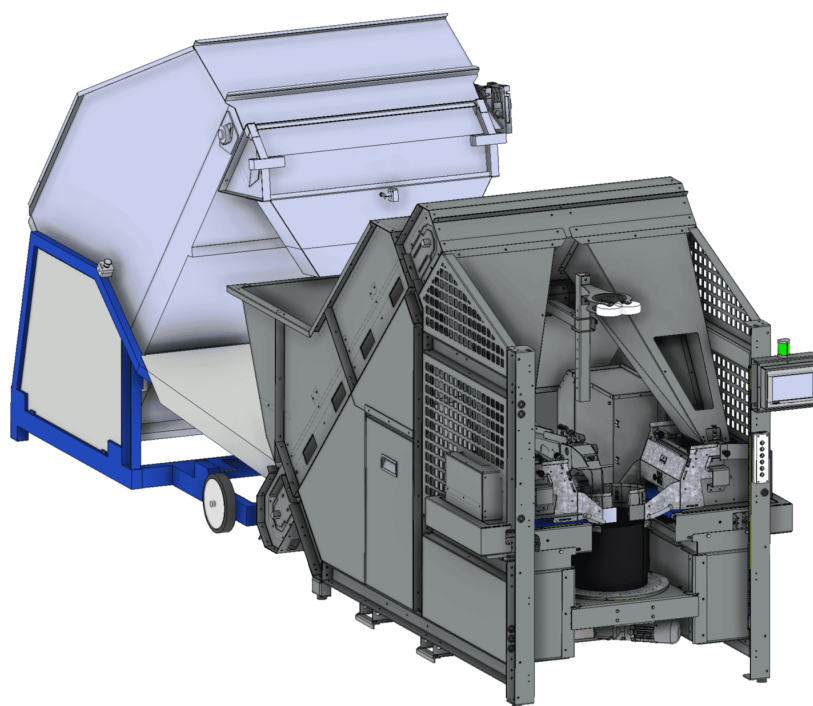
Tree Transplanter Basic 1.0

Make Potting Easier

Simplify potting

Best for open bags

Suitable for
trees and shrubs



MAKE POTTING EASIER

The Tree Transplanter Basic is designed to make potting easier by combining the most important steps into one clear and controlled process.

By handling filling and compaction automatically, the machine reduces manual effort while maintaining flexibility in how trees and containers are handled. The system is easy to operate and can be quickly adapted to different pot sizes and plant types.

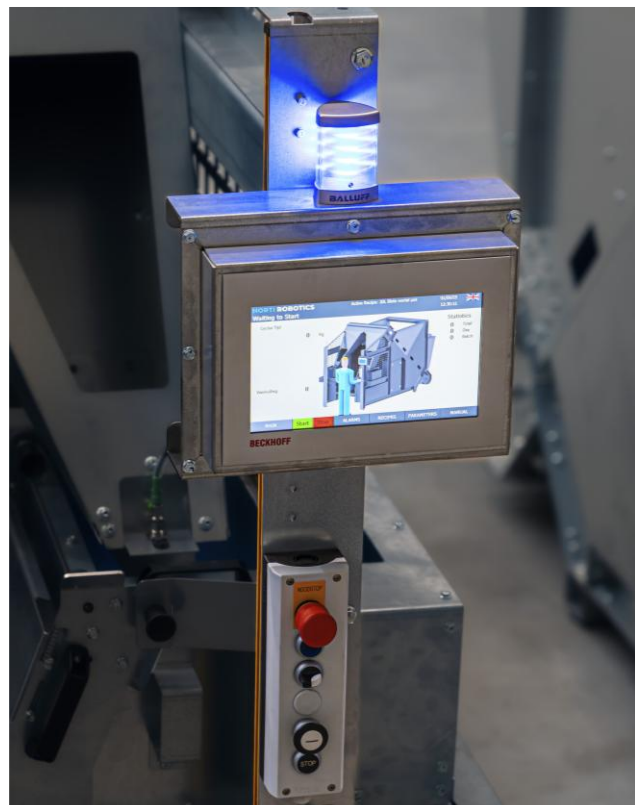
This makes it a practical solution for nurseries looking to improve efficiency and consistency.



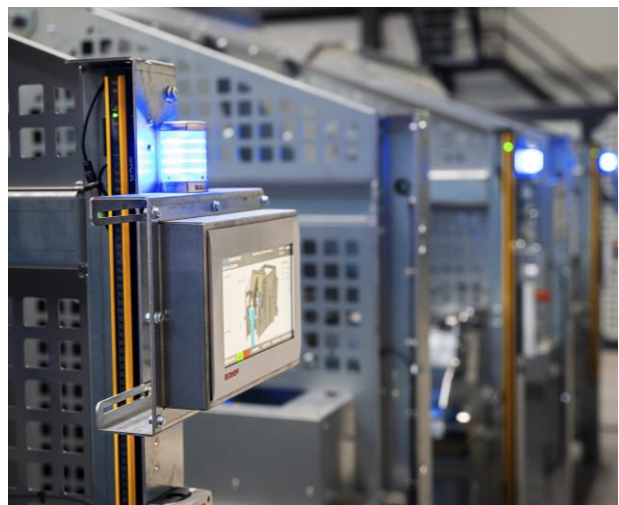
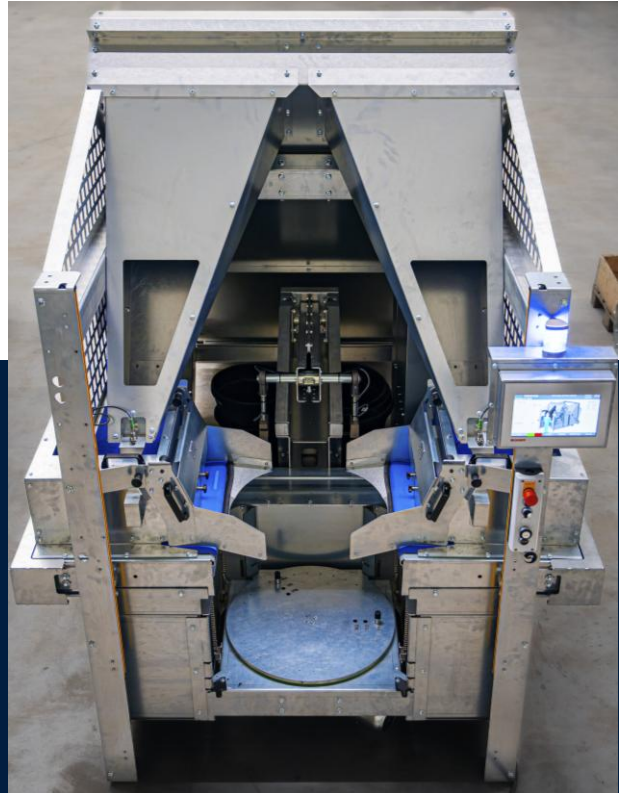
The grow bag is placed directly between the filling molds, which are equipped with a hook edge on both sides. The bag is simply hooked into place, keeping it open and firmly positioned during the potting process, without the need for additional holders.



The status light indicates the current state of the machine, allowing operators to easily understand where they are in the process and what action is required next.



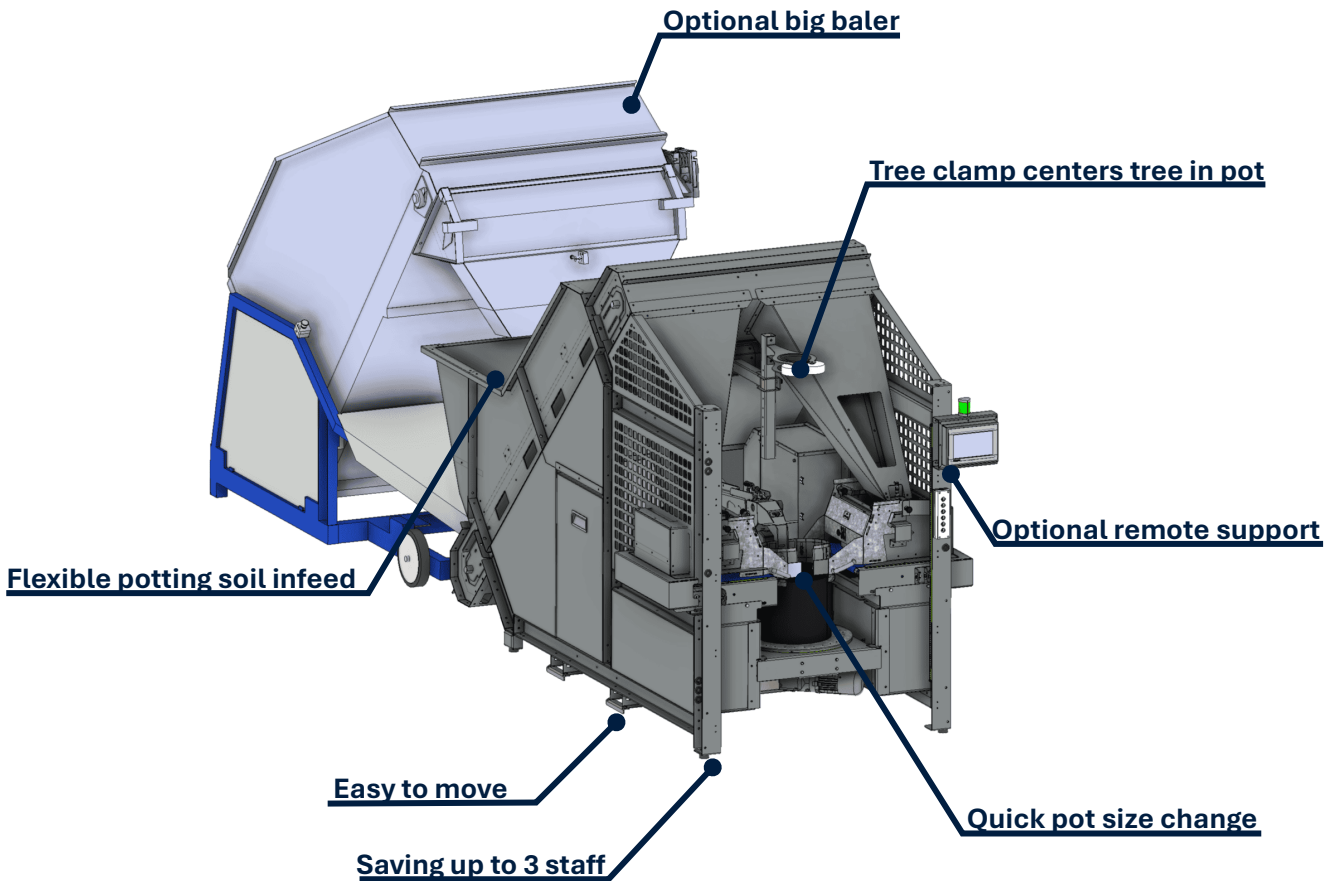
GALLERY



SPECIFICATIONS

Which machine fits your operation?	
Tree Transplanter Basic 1.0	Tree Transplanter Basic 2.0
Open top grow bags (without sleeve)	Pots or closed top grow bags (with sleeve)
No bark or water addition	With bark and water addition
Simple and fast	Flexible and more advanced
Higher speed (when bark isn't needed)	More control

Technical specifications:	
Length:	3.8 m
Width:	2 m
Height:	2.4 m
Weight:	1500kg
Container type:	Best for grow bags, also suitable for pots
Minimum container size:	10L
Maximum container size:	100L
Capacity:	± 3/min, depending on the application
Compaction method:	Eccentric-driven, pot specific tamper



Built on patented technologies

ABOUT US

Horti Robotics started in a small workshop in the Netherlands, founded by two brothers and their father. They grew up in South Africa, where they learned to work with limited tools and to find practical solutions. That way of thinking—hands-on, resourceful, and committed, still forms the foundation of how the company works today.

What began with welding and mechanical work grew into designing and building complete machines. Without formal training, they taught themselves to draw, program, and develop systems from start to finish. Every project became a new learning step.

Their first horticultural machine was a Root Trimmer. That led to more questions, more machines, like a cutting robot and a potting system. One customer asked if they could also build a machine to graft plants. They had no experience with grafting, but they gave it a try.

Today, the Grafting Robot is a key part of what Horti Robotics does.

In 2020, the name changed to Horti Robotics, to better reflect what the company had become: a builder of smart, practical machines for horticulture. From potting and grafting to grading and transplanting. The aim: making growers work easier, more efficient and more consistent, to gain higher quality and speed.

The team is small and works closely together. Everyone contributes, and every idea is welcome. Machines are developed in cooperation with customers, based on real needs in the field.

Where innovation takes root is more than a slogan.

It reflects how the company grows: step by step, through doing, learning and improving together with those who use the machines.

Contact
HORTI ROBOTICS

Location

Pottenveld 4B
4043AB Opheusden
The Netherlands

Web

www.hortirobotics.com

E-Mail

info@hortirobotics.com